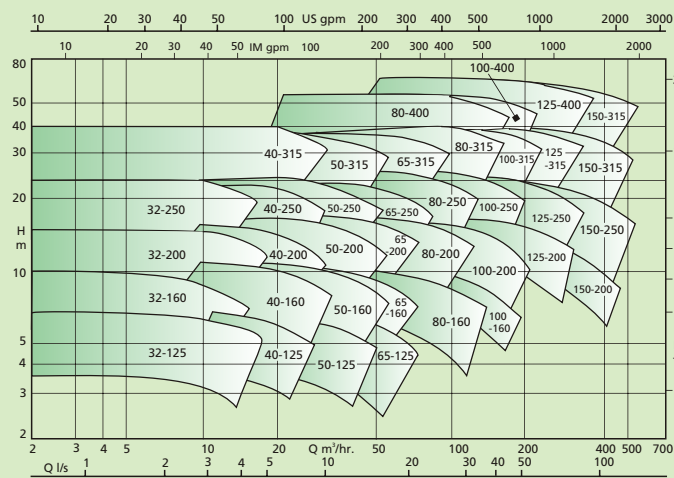
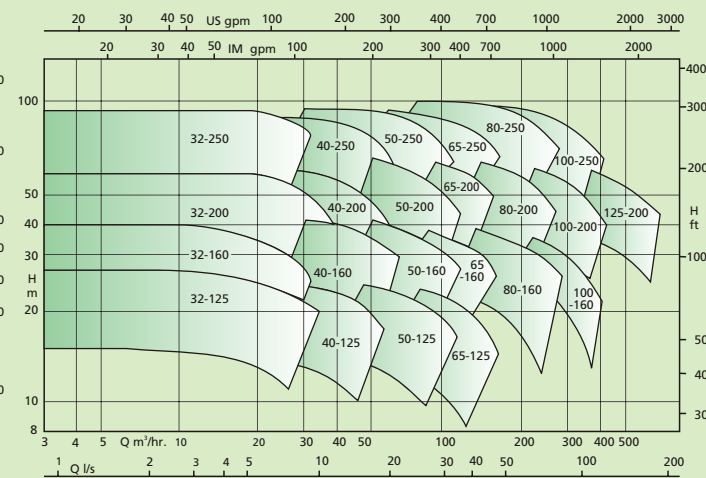


Family Curves

n = 1450 rpm



n = 2900 rpm

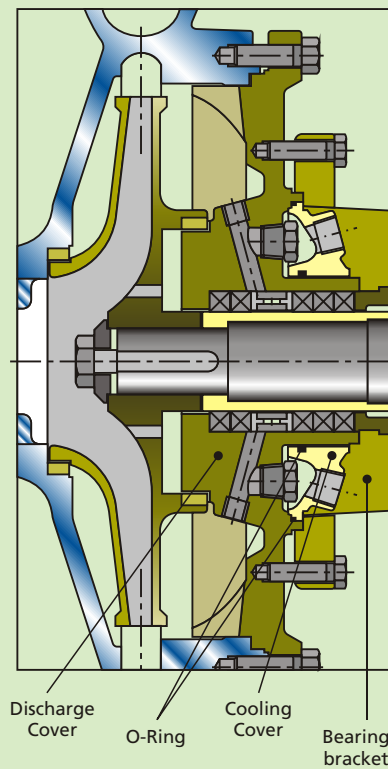


Materials

Designation	Material execution		
	G	GB	GC
Volute casing	C.I. Gr. FG 260	C.I. Gr. FG 260	C.I. Gr. FG 260
Discharge cover	C.I. Gr. FG 260	C.I. Gr. FG 260	C.I. Gr. FG 260
Cooling cover 1)	C.I. Gr. FG 260	C.I. Gr. FG 260	C.I. Gr. FG 260
Impeller	C.I. Gr. FG 260	Bronze LTB 2	CF 8 M
Bearing Bracket	C.I. Gr. FG 260	C.I. Gr. FG 260	C.I. Gr. FG 260
Shaft prot. sleeve	C.I. Gr. FG 260	Bronze LTB 2	Type 316
Wearing Ring 2)	C.I. Gr. FG 260	Bronze LTB 4	CF 8 M
Shaft	45 C 8	45 C 8	45 C 8

- 1) Optional (Depends on temperature of pumped media)
- 2) Only one Wearing Ring (Casing Wearing Ring for MEGA GC)

Option : Use of cooling cover



Centrifugal end suction pump. Designed as per ISO 2858 (16 bar)



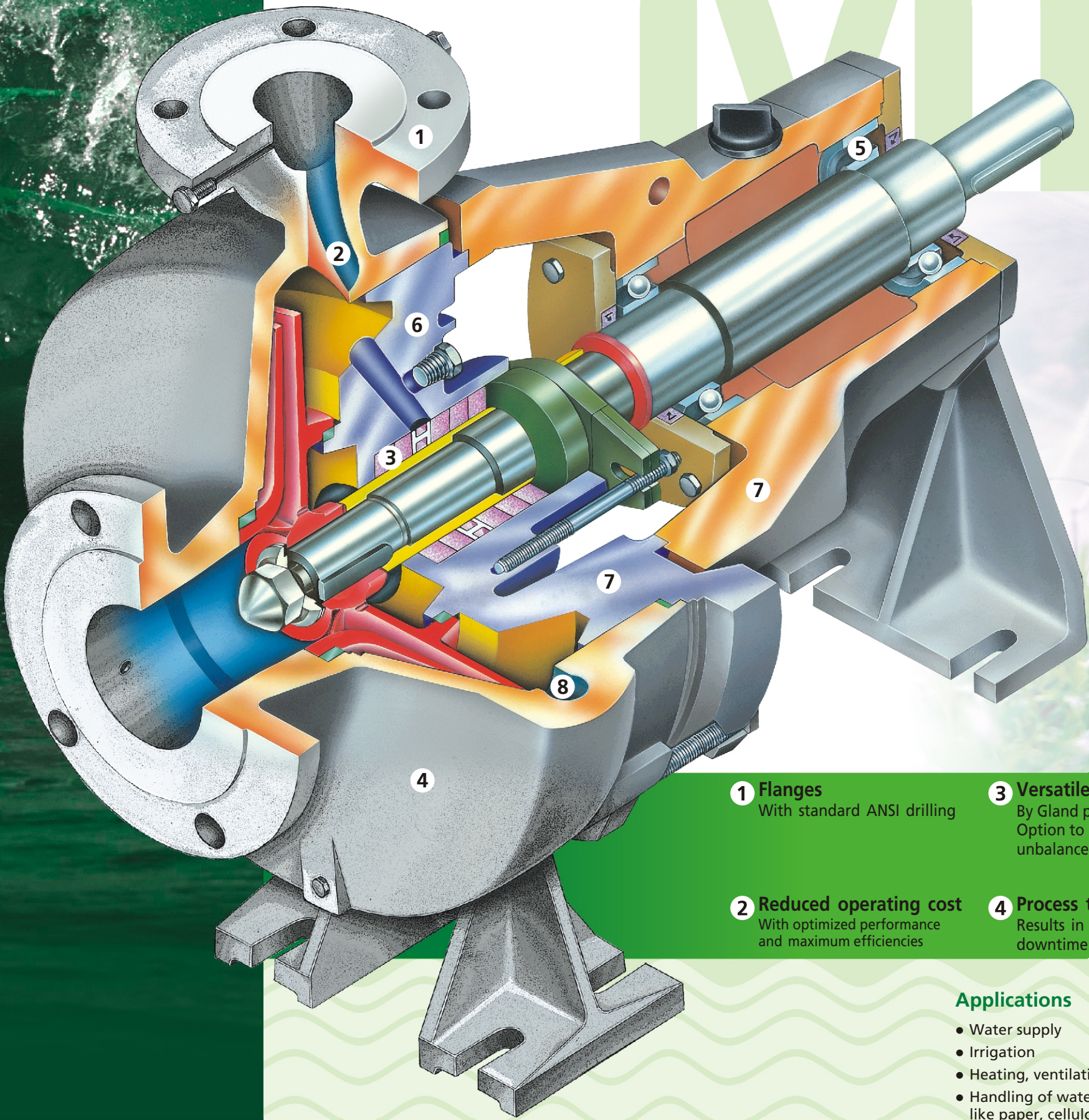
753857 Technical matter. Subject to change without notice.



KSB PUMPS LIMITED
Mumbai-Pune Road, Pimpri, Pune 411 018, India.
Tel.: +91 20 2710 1000 Fax : +91 20 2742 6000 www.ksbindia.co.in



MEGA



MEGA... Value for your money

Centrifugal end suction pumps - MEGA from KSB delivers great value for your money... for years. Designed with latest German technology and manufactured with precision using state of the art technology, MEGA pumps are there to fulfill your every need in industrial water transportation.

A wide range of 37 superior hydraulics allows more water to flow with maximum efficiency. All this is possible with just 4 varieties of bearing brackets, which gives you an added advantage of maximum interchangeability.

A choice of different material combinations makes the pump suitable for water supply, irrigation, heating, ventilation, air conditioning, fire fighting as well as makes it suitable for handling of water in various process industries like paper, sugar food & textile.

1 Flanges
With standard ANSI drilling

3 Versatile shaft seal
By Gland packing.
Option to use standard unbalanced mechanical seal

5 Robust deep groove ball bearings
High operating reliability
Grease packed for life time
(Even suitable for 60Hz)

7 High interchangeability
Ensures fast delivery and low inventory

2 Reduced operating cost
With optimized performance and maximum efficiencies

4 Process type design
Results in minimum downtime

6 Quality castings
Computerized strength analysis ensures safety & ruggedness

8 Environment Friendly
Lower noise & vibration levels

Applications

- Water supply
- Irrigation
- Heating, ventilation air-conditioning, fire fighting
- Handling of water in various process industries like paper, cellulose, sugar, food and textile

Operating Data

Pump Sizes	DN	32 to 150 mm
Capacities	Q	upto 540 m ³ /hr.
Heads	H	upto 100 m
Pressure	P	upto 16 bar
Temperature	t	-30to+160 °C